

DRYCONN®

WATERPROOF CONNECTORS

Great for Low Voltage Irrigation Connections

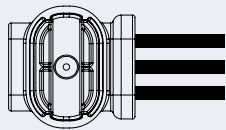


INSTALLATION INSTRUCTIONS

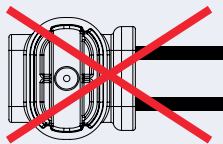
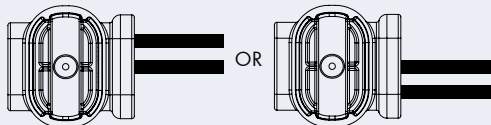
IMPORTANT: Turn off power before installing or removing connector. Product to be used in accordance with local and national codes.

1. Insert conductor into port, fully seating conductor into port. One conductor per port only.
2. Using hand tool, press cap fully into housing. The cap will be flush or slightly below the edge of the housing.
3. Wipe excess sealant in and around conductors and ports. Do not reuse.
To be sold only with installation instructions.

THREE WIRE CONNECTION



TWO WIRE CONNECTION



FEATURES AND BENEFITS

- Insulation displacement connector.
- Don't have to strip wires.

U.S. Pat. 9,496,626 and additional Patents Pending apply. All other trademarks, U.S. and Foreign Patents apply. All Rights Reserved.

KING
INNOVATION®

316 IR+

SKU#	Selling Unit
98230	Bag of 30

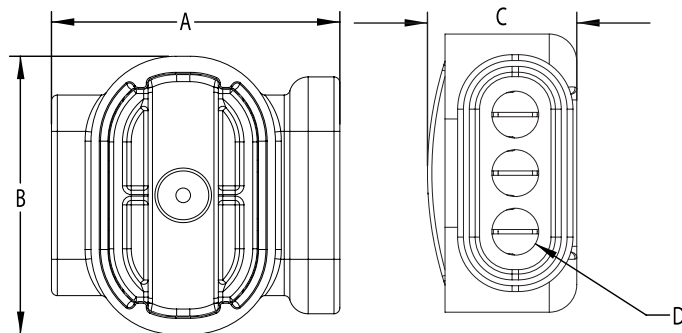
PRODUCT SPECIFICATIONS AND MEASUREMENTS

Max. Voltage: 600V max. building wire
(1000V max. signs or luminaries)
Connector Size: .99" x .95"
Wire Type: Copper/Copper (Solid/Stranded)
Wire Range: Min #22/Max #14
Temperature Rating: 105°C (221°F)
Silicone Sealant Temperature: -45°F to 400°F
Tube Construction: Polycarbonate UV and Impact Resistant

Manufacturer approved for low voltage (30V) wet, damp and direct bury applications

Measurements (Inches):

A- .99" B- .95" C- .51" D- .16"



DO NOT REUSE.
MADE IN USA
50100-103 REV C 12/16

www.kinginnovation.com
(P) 800.633.0232
(F) 636.519.5410