

DRYCONN[®]

WATERPROOF CONNECTORS

For Use with Utility Tracer and Cathodic Applications



Installation Instructions

- Strip main and tap conductors to 5/8" (width of lug or as indicated on sealant cover).
- Place uncut stripped main conductor into side A. (See Figure 1)
- 3A. Solid Conductor- Using a screwdriver, tighten set screw until it comes in contact with the solid conductor. Note location of screwdriver and continue tightening the set screw as indicated: 3/4 Turn #14-#8 Solid Copper or 1/4 Turn #14-#10 Steel Core Tracer
- 3B. Stranded Conductor- See table below for required torque.

Stranded Conductor	
Gauge	in - lbs
14g	15
12g	20
10g	25
8g	30
6g	35

- Place stripped tap conductor into side B, positioned as shown in Figure 2.
- Tighten as shown in step 3A or 3B.
- Remove sealant cover and discard.
- Close housing, aligning conductors until housing lid is fully latched.
- Wipe excess sealant around conductors.
- Do not reuse.

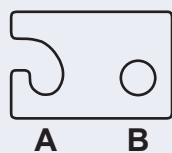


Figure 1

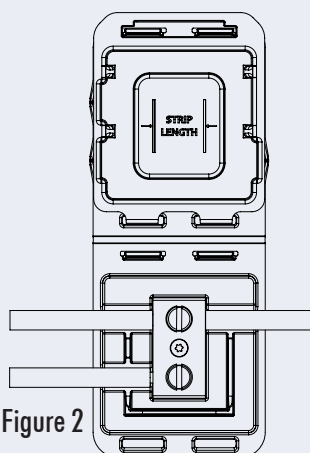


Figure 2

DryConn[®] Direct Bury Lug Plus (Yellow)

SKU#	Selling Unit
90740	Bag of 5

Product Specifications and Measurements

Max. Voltage: 50V
 Connector Size: 1.18" x 2.04" x 2.57"
 Wire Range: #14-8 Solid Copper;
 #14-6 Stranded Copper
 #14-10 Steel Core Tracer Wire (CCS)
 Conductor O.D. Range: .124" - .408"
 Silicone Sealant Temperature Rating: -45°F to 400°F

Construction

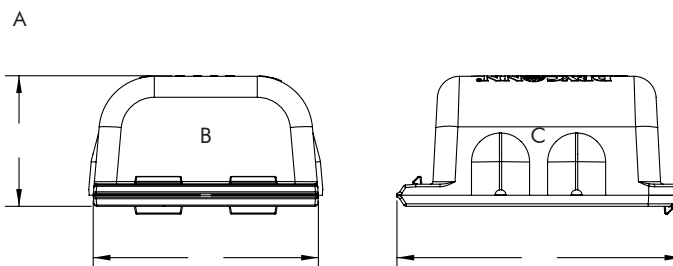
Lug: Tin plated high conductivity aluminum
 Screws: Zinc plated steel
 Housing: High impact polypropylene
 Sealant: Non-hardening viscous dielectric silicone

Weight

One connector: 93.7g (3.3 oz)
 One bag of five: 477.3g (16.8 oz)

Measurements (Inches)

A - 1.18" B - 2.04" C - 2.57"
 A - 30.0mm B - 51.8mm C - 65.3mm



MADE IN U.S.A.

www.kinginnovation.com
 (P) 800.633.0232
 (F) 636.519.5410

DryConn® Direct Bury Lug Plus (Yellow)

Features and benefits

- Waterproof and corrosion proof
- Install service line without cutting the main line
- One piece for easy installation
- Installs in one minute or less
- Designed for use with solid tracer and cathodic wires
- Wire range from #14-8 Solid Copper
 - #14-6 Stranded Copper
 - #14-10 Steel Core Tracer Wire (CCS)
- High impact housing with user friendly design to prevent cuts or handling discomfort
- Use with low voltage tracer and cathodic lines under 50 volts
- Pre-filled with silicone
- Approved for direct bury



MADE IN USA

U.S. Patent 7,044,776, 7,677,932, 7,223,132, 7,507,126 and 7,988,503. All other trademarks, U.S. and Foreign Patents Apply. All Rights Reserved.