

DRYCONN®

WATERPROOF CONNECTORS

For use with utility tracer lines



Installation Instructions

IMPORTANT: Turn off power before installing or removing connector. Product to be used in accordance with local and national codes.

1. Assemble connection per split bolt manufacturer instructions.
2. Lay conductor and connector into housing per Figure 1.
3. Close lid of housing, aligning conductors until housing lid is fully latched.
4. Do not reuse.

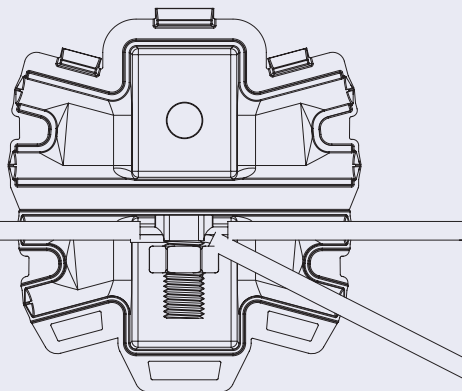


Figure 1

Note: Split bolt size not to exceed 1.0" tall by 0.8" wide by 0.7" deep.

MADE IN USA

U.S. Pat. 7,950,956 and additional Patents Pending apply.
All other trademarks, U.S. and Foreign Patents Pending apply.
All Rights Reserved.

DryConn® Split Bolt Housing Yellow

Catalog #	Selling Unit
69205	Bag of 10

PRODUCT SPECIFICATIONS & MEASUREMENTS

Max. Voltage: 50V max.

Connector Size: 1.6" deep x 2.9" wide x 1" tall

Wire Range: #14-10 Solid Copper;

#14-10 Steel Core Tracer Wire

Sealant Temperature Rating: -50°C to 200°C
(-58°F to 392°F)

CONSTRUCTION

Housing: High impact polypropylene

Sealant: Dielectric silicone gel

MEASUREMENTS

A - 1.6" B - 2.9" C - 1"

